



• Hyundai Santa Fe 2007->



Compatible with these head units

2-DIN Navigation

Double DIN Kit components

- (1) Facia Plate
- (2) Brackets

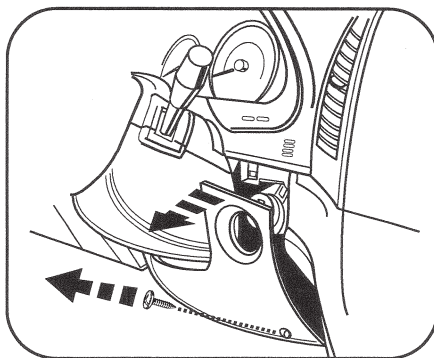
Installation Manual Double DIN Kit

HYUNDAI SANTA FE 2007

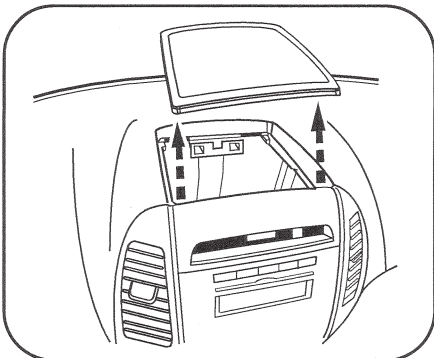
- 1 Disconnect the negative battery terminal to prevent an accidental short circuit.
- 2 Remove (1) Phillips screw from the right side of the panel below the steering column then unclip and let right side of panel hang. (Figure A)
- 3 Unclip and remove the cover above the clock on top of panel surrounding the radio. (Figure B)
- 4 Unclip and remove the panel extending across the dash below the a/c control and above the glove box including the ash tray. (Figure C)
- 5 Remove (2) Phillips screws then unclip and remove the panel surrounding the radio including the a/c vents. (Figure D)
- 6 Remove (4) Phillips screws securing the radio. Unplug and remove radio.

Continue to kit assembly.

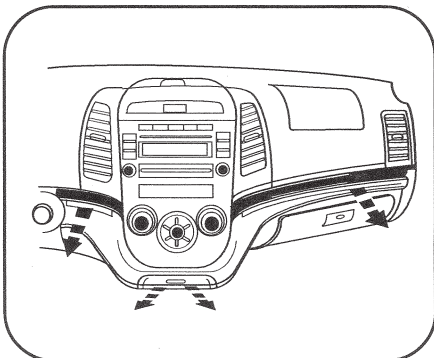
A



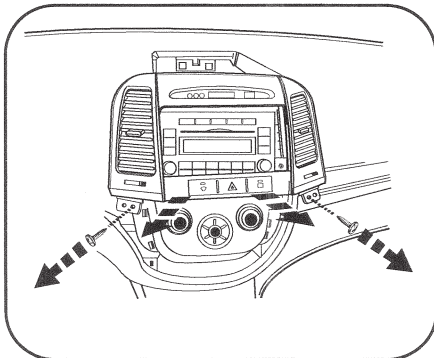
B



C



D

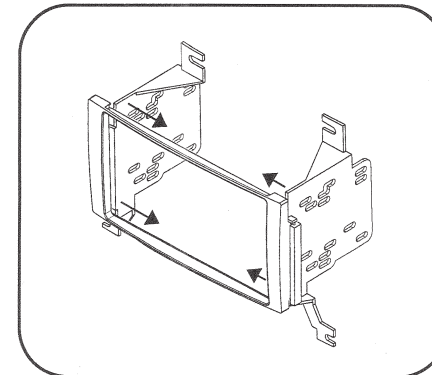


DOUBLE DIN RADIO PROVISION

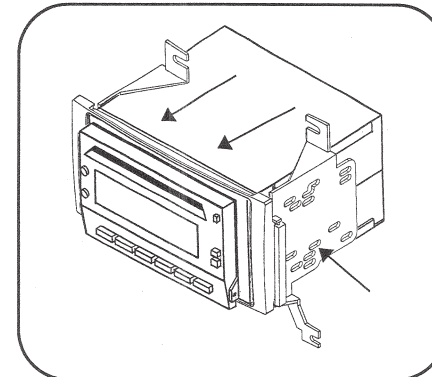
**Note: Refer also to the instructions included with the aftermarket radio.*

- 1 Snap the Double DIN brackets to the outside edge of the Double DIN trim plate. (Figure A)
- 2 Slide the Double DIN radio into the bracket/trim plate assembly and secure the radio to the assembly using the screws supplied with the radio. (Figure B)

A



B



All installation work must be performed by a qualified professional installer only.
The manufacturer / dealer is not liable for any kind of incidental or indirect damages.